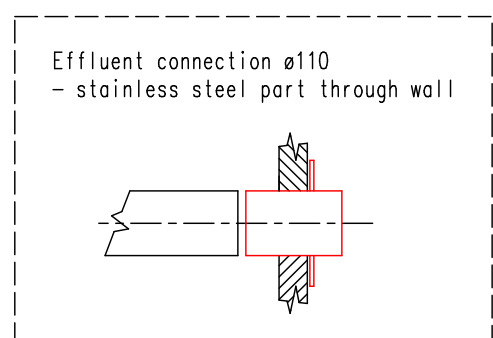
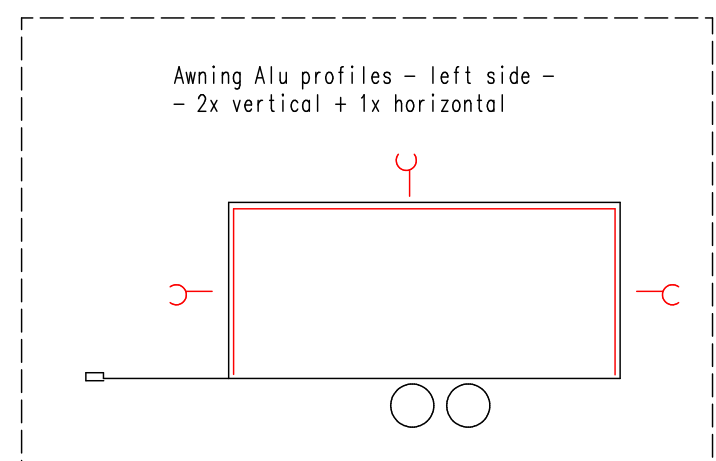
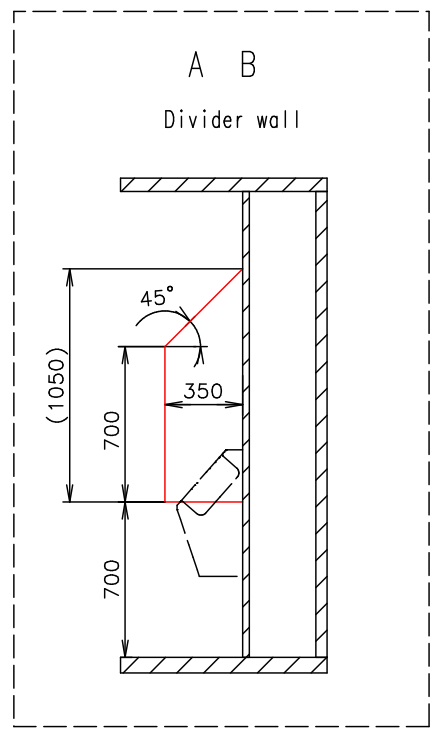
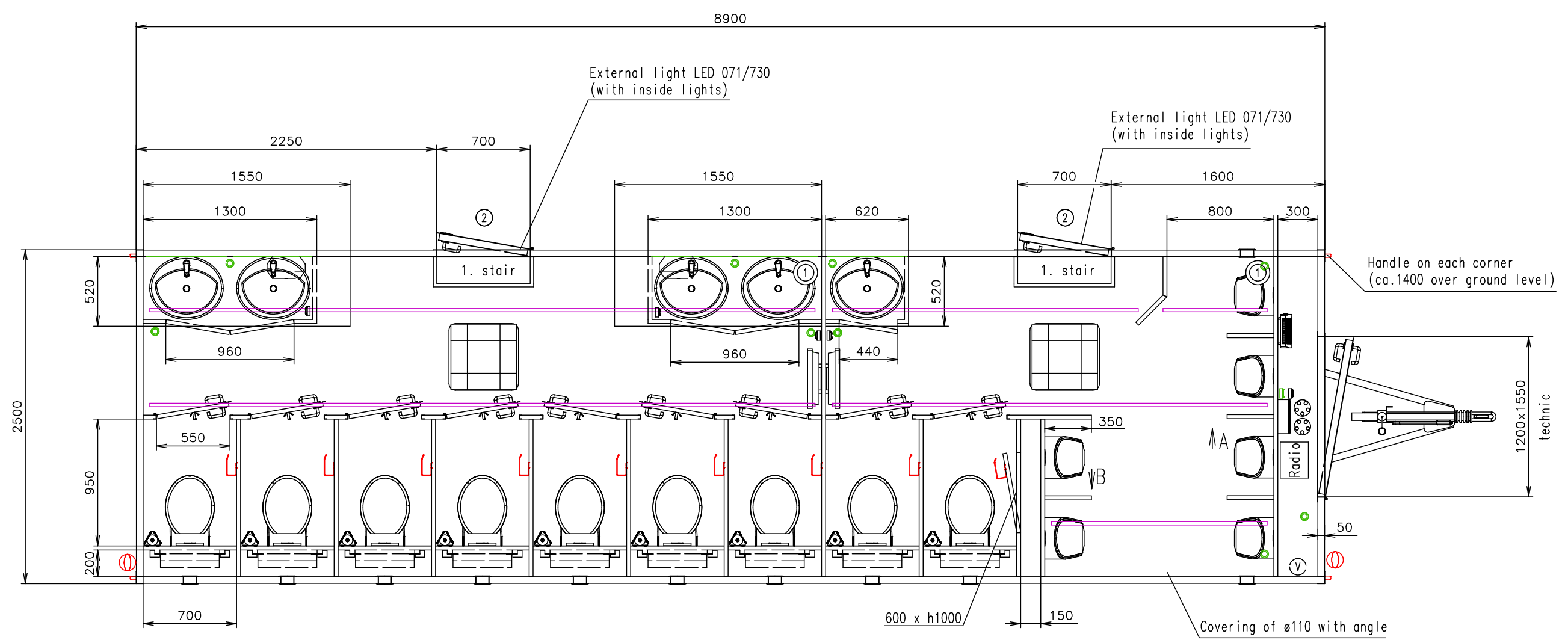


Connection hoses and cables	
Water hose:	✓
Waste water hose:	✗
Electric cable:	✓ 2x



Working desks in waterproof compact desk Egger (dark color)

Interior doors + divider walls in black decor 6515

Notes: External doors - without cylinders Spare wheel - free loaded

Interior height:	2100 mm	Total weight:	3500 kg
Color:	RAL 7042	Tare weight:	2950 kg
Floor:	PVC Jupiter 148708	Centre of wheels from rear side:	4330 mm
Date:	18.12.2017	Wheels:	195/50 R13C

EUROWAGON

Drawing number:
2496-89-2_1/2 (Sprenger)

(Cabling and piping is not shown on the 3D views and drawings)

Connection hoses and cables	
Water hose:	✓
Waste water hose:	✗
Electric cable:	✓ 2x

Ⓥ Water connection 3/4" (on the chassis)
+ filter + reduction valve

Ⓢ 2x Electric connection (through the floor)
(230V-16A) (1x heating) (1x the rest)

Ⓣ 2x Effluent connection ø110 (through wall)
- stainless steel part

Ⓜ Power point

Ⓛ Light switch

Ⓜ Switch board (1200 over floor)

— Light LED stripe

Ⓜ Heating (500W)

Ⓜ Heating (750W)

Ⓢ Floor drain hole

Ⓜ Ventilation ø120

Ⓢ Wash-basin (built-in) Multi 1690 (550x470)
+ standard water tap

Ⓢ Hanging toilet (toilet seat - steel holders)

Ⓢ Urinal - Vitra Siko (water flush)

Ⓢ Hot water boiler Wterm FHN (5l)

Ⓜ Roof window Dometic (400x400)

Ⓢ Brush toilet

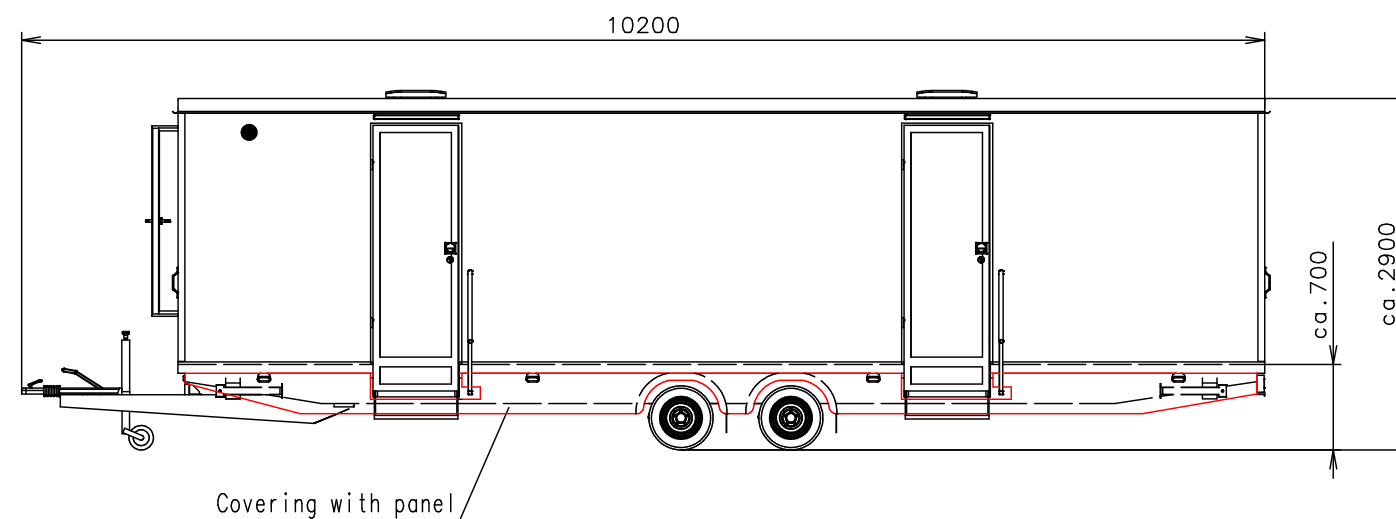
Ⓜ Special toilet paper holder

Ⓢ Clothes hanger

— Mirror (600x600) + black frame around

① Speaker

② Foldable stairs Fiona
(update on fixing of stair)
+ stainless steel handrail



(Cabling and piping is not shown on the 3D views and drawings)

Working desks in waterproof compact desk Egger (dark color)

Interior doors + divider walls in black decor 6515

Notes: External doors - without cylinders Spare wheel - free loaded

Interior height:	2100 mm	Total weight:	3500 kg
Color:	RAL 7042	Tare weight:	2950 kg
Floor:	PVC Jupiter 148708	Centre of wheels from rear side:	4330 mm
Date:	18.12.2017	Wheels:	195/50 R13C

EUROWAGON

Drawing number:
2496-89-2_2/2 (Sprenger)