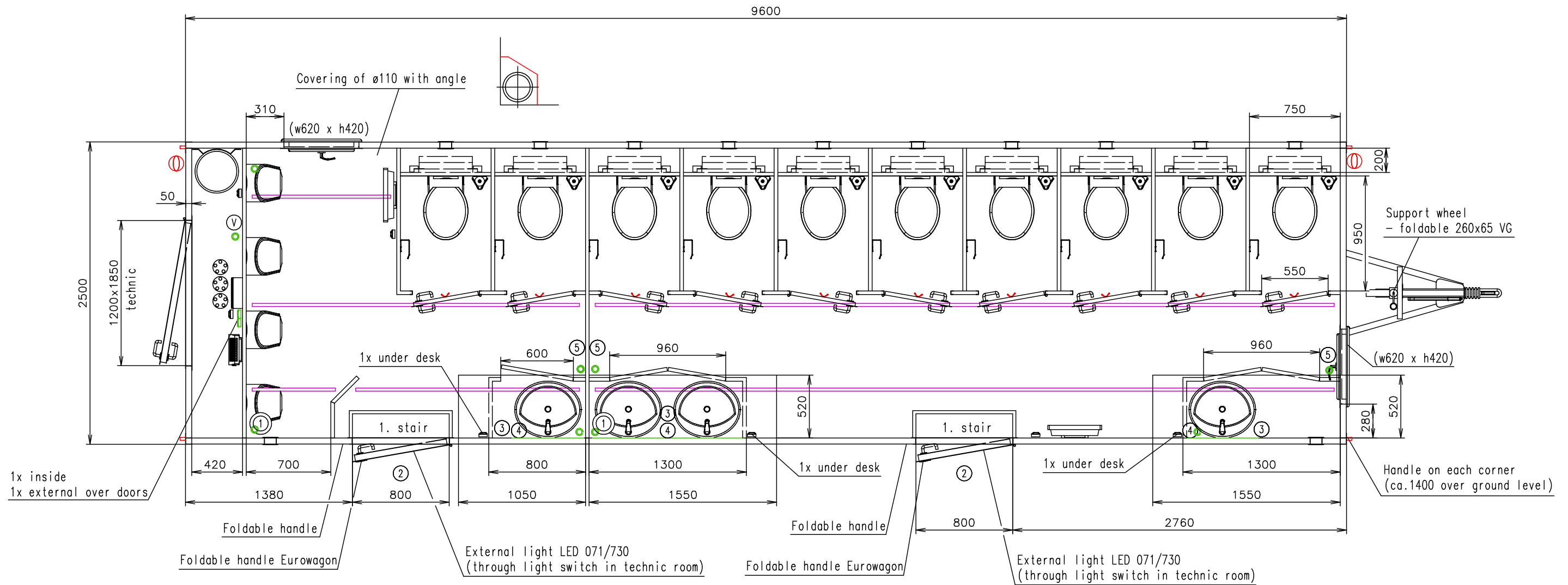


Connection hoses and cables	
Water hose:	✓
Waste water hose:	✗
Electric cable:	✓ 2x Schuco



External door stop - stainless steel

Working desks in waterproof compact desk Egger (dark color)

Interior doors in decor 0599 SG Orca

Chassis with suspensions

Notes: External doors - without cylinders

Spare wheel on the chassis

Interior height:	2100 mm	Total weight:	3500 kg
Color:	RAL 9010	Tare weight-estimate:	3200 kg
Floor:	PVC Jupiter 142704	Centre of wheels from rear side:	4800 mm
Date:	23.4.2019	Wheels:	195/50 R13C

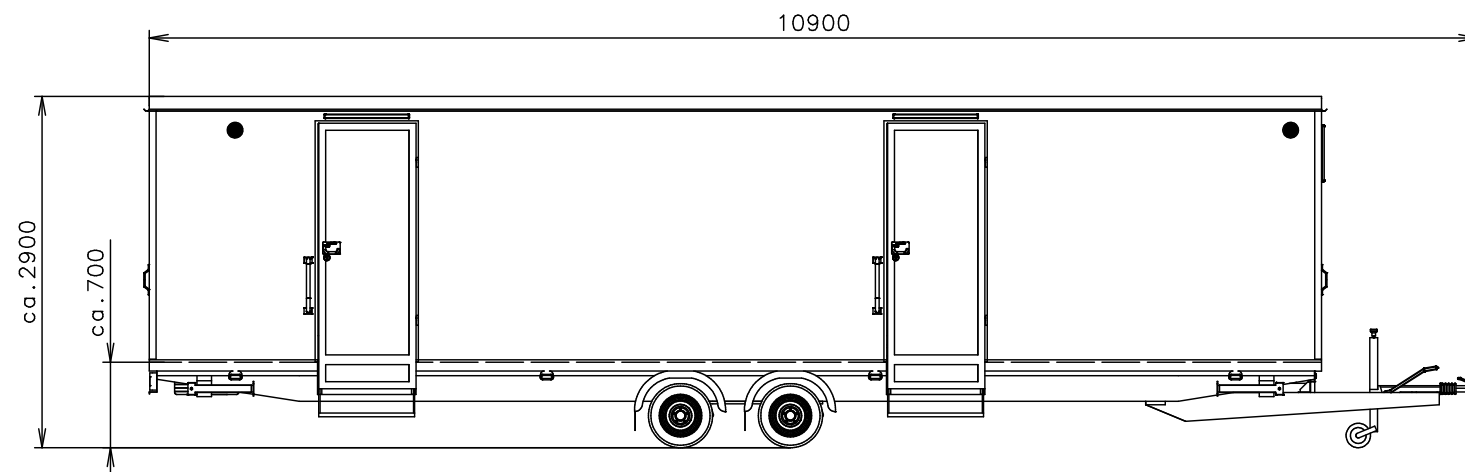
**EUROWAGON**

Drawing number:  
3265-96-1\_1/2 (Barthelmess)

(Cabling and piping is not shown on the 3D views and drawings)

Connection hoses and cables	
Water hose:	✓
Waste water hose:	✗
Electric cable:	✓ 2x Schuco

- Ⓥ Water connection 3/4" (through the floor) + filter + reduction valve
- Ⓢ 3x Electric connection (through the floor) (230V-16A) (1x power points under working desks next to cupboards) (1x heatings) (1x the rest)
- Ⓣ 2x effluent connection (through wall) - connection point A110 + lid
- Ⓟ Power point
- Ⓛ Light switch
- Ⓜ Switch board (1200 over floor)
- Ⓛ LED stripe
- Ⓜ Heating (500W)
- Ⓜ Heating (750W)
- Ⓞ Floor drain hole
- Ⓜ Ventilation ø120
- Ⓜ Wash-basin (built-in) Multi 1690 (550x470) + standard water tap
- Ⓜ Hanging toilet
- Ⓜ Urinal - Vitra Siko (water flush)
- Ⓜ Hot water boiler Slim (30 l)
- Ⓜ Window opening inside (1500 over floor)
- Ⓜ Brush toilet
- Ⓜ Toilet paper holder
- Ⓜ Clothes hanger - small
- Ⓜ Mirror (600x600) + black frame around
- ① Speaker - cable go to switch board (extra ca. 2m)
- ② Foldable stairs Fiona
- ③ Rubish bin
- ④ Foam soap dispenser TORK (black)
- ⑤ Paper towel dispenser TORK Xpress Multifold H2 (black)



(Cabling and piping is not shown on the 3D views and drawings)

External door stop - stainless steel

Working desks in waterproof compact desk Egger (dark color)

Interior doors in decor 0599 SG Orca

Chassis with suspensions

Notes:

External doors - without cylinders

Spare wheel on the chassis

Interior height:	2100 mm	Total weight:	3500 kg
Color:	RAL 9010	Tare weight-estimate:	3200 kg
Floor:	PVC Jupiter 142704	Centre of wheels from rear side:	4800 mm
Date:	23.4.2019	Wheels:	195/50 R13C

**EUROWAGON**

Drawing number:

3265-96-1\_2/2 (Barthelmess)